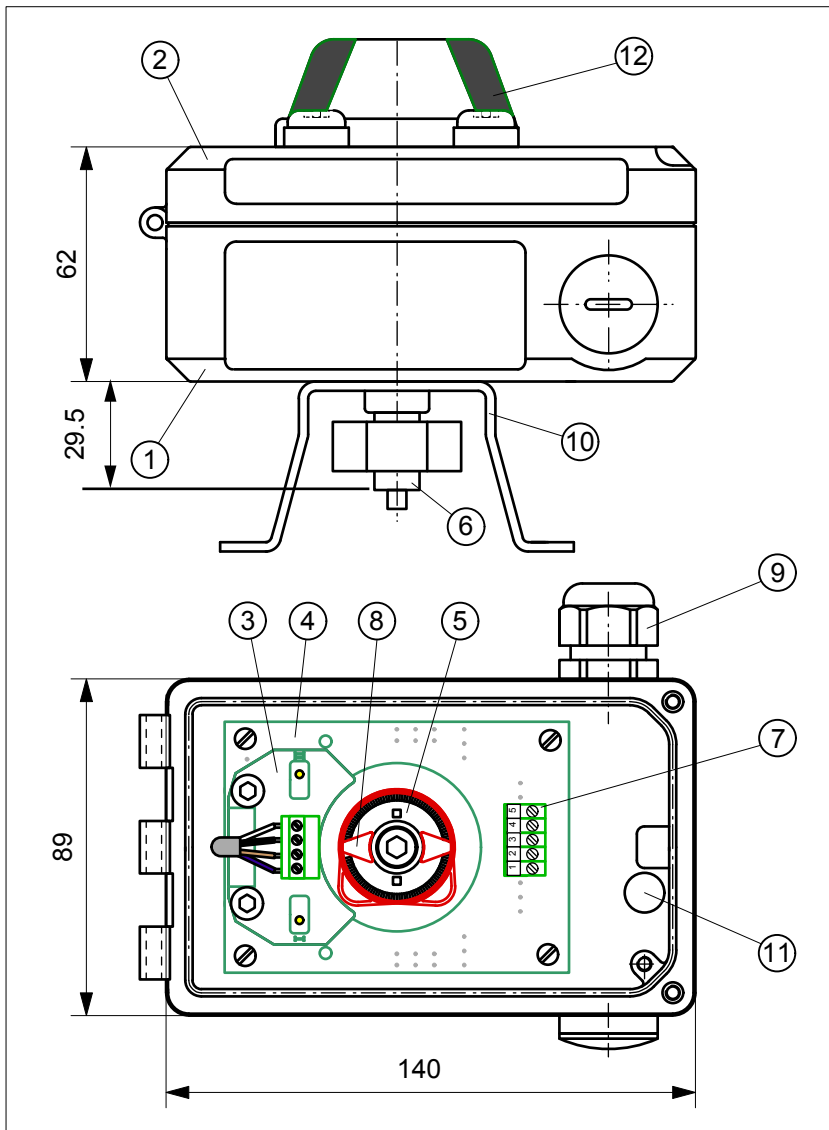




COM-Module CPFF25NASE) 8 MAZ0

COM-Module with inductive double sensor Pepperl + Fuchs NCN3-F25F-N4-P, on circuit board, in aluminium housing 140 x 89 x 62 mm



TECHNICAL DATA

Manufacturer: Pepperl+Fuchs
 Type: NCN3-F25F-N4-P
 inductive, double sensor,
 Normally closed contact

Operating distance: 3 mm
 Nominal voltage: 8 V DC
 Output: short-circuit protection,
 inverse-polarity protect.

Current consumpt.: ≥ 3 mA, inactive
 ≤ 1 mA, active

Switch. precision: 0 ... 1500 Hz
 Temperature: $-25^\circ \dots 85^\circ$ C
 Signal: LED, yellow
 Sealing: PUR
 Ingress protection: IP60 (Sensor)
 IP65 (Housing)

Switch. precision: $< 1,5^\circ$
 Typ of connection: Mini-Combicon
 System connection: Cable gland M20x1,5
 Clamps: Screw clamps,
 up to $1,5 \text{ mm}^2$, pluggable



II 2G Ex ia IIC T6

EC-Type Examination Certificate No.
TÜV 99 ATEX 1479 X

OBJECT LIST

Pos.	Pcs.	Description	Material
1	1	Housing	Aluminium
2	1	Cover with hinge	Aluminium
3	1	Double sensor	-
4	1	Circuit board	-
5	1	Switch cam system	POM
6	1	Axis	Stainless steel
7	1	Screw clamp, 5-pole	-
8	1	Position indicator "arrow"	-
9	1	Cable gland M20x1,5	PA
10	1	Bracket size 1 - 4	A2
11	1	Membrane	-
12	1	Visual indicat. "Open / Closed"	-

WIRING DIAGRAM

