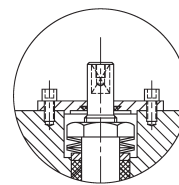


通用标准 / General features

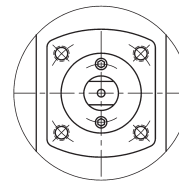
- 结构型式为DIN PN10到PN40及ANSI 150lbs
- 手动或自动化控制(电动或气动)
- 泄漏试验按EN12266第1部分和BS6755第1部分
- 顶部法兰按ISO 5211 & SPE 77/211
- 可按要求选用防火安全型结构
- 标准结构材料：碳钢和不锈钢
- 可按要求选用特殊合金材料

- Construction DIN PN10 to PN40 and ANSI 150 lbs
- Manual or automatic operation (electric or pneumatic actuator)
- Leak test as per EN 12266 part 1 and BS 6755 part 1
- Top flange as per ISO 5211 & SPE 77/211.
- "Fire safe" upon request
- Standard construction materials are: carbon steel and stainless steel.
- Special alloys can be supplied upon request.

设计特点 / Design advantages

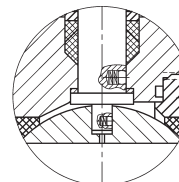


ISO 5211标准顶部法兰
Top flange ISO 5211



导向阀杆
Guided stem

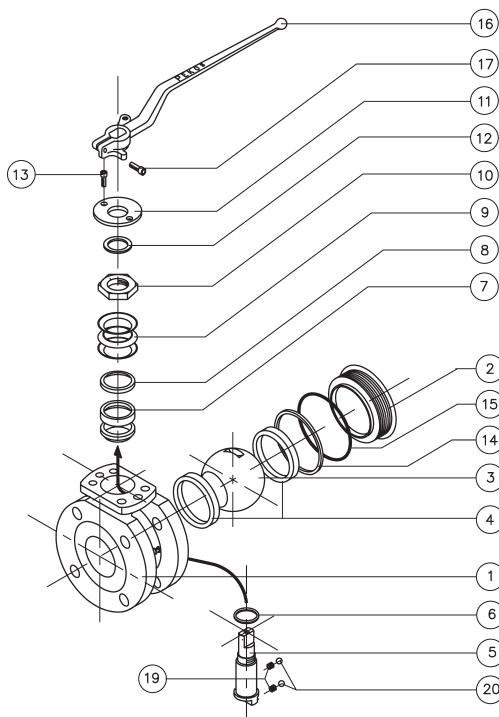
阀杆填料免维护
Stem packing
MAINTENANCE FREE



防吹出阀杆
Anti-blow out stem

防静电装置
Antistatic device

标准结构材料 / Standard construction materials



Item	名称	Description	Can.	Fig. 94TTV	Fig. 96TTV
1	阀体 1	Body 1	1	1.0619	1.4408
2	阀体 2	Body 2	1	A-105	1.4401
3	球体	Ball	1	1.4408	1.4408
4	阀座	Seats	2	PTFE	PTFE
5	阀杆	Stem	1	1.4401	1.4401
6	阀杆密封圈	Stem washer	1	PTFE + FV	PTFE + FV
7	填料	Packing ring	2	PTFE	PTFE
8	填料垫	Gland packing	1	1.4401	1.4401
9	弹性垫圈	Spring washer	3	1.4310	1.4310
10	阀杆螺母	Stem nut	1	1.4305	1.4305
11	阀盖	Cover	1	1.4408	1.4408
12	阀盖垫	Cover ring	1	PTFE	PTFE
13	阀盖螺栓	Cover bolt	2	A4-70	A4-70
14	阀体密封圈	Body seal	1	PTFE	PTFE
15	阀体O形圈	O-ring Body	1	VITON	VITON
16	手柄	Handle	1	WCB	WCB
17	手柄螺栓	Handle bolt	1	8.8	8.8
19	弹簧	Spring	2	1.4319	1.4319
20	小球	Ball	2	1.4401	1.4401

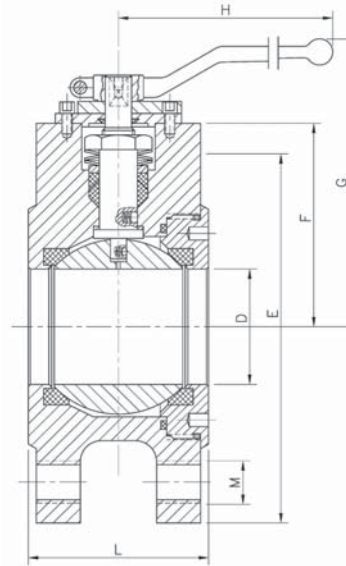
结构尺寸 / Dimensions

DIN (PN16 - PN 40)

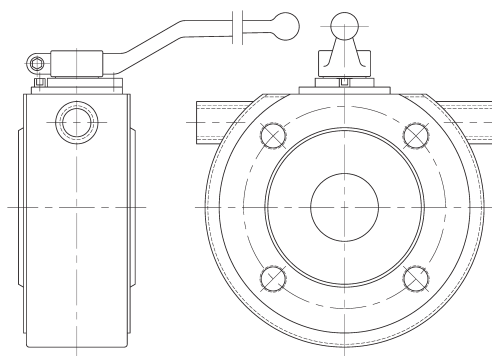
DN	PN	D	L	E	F	G	H	M	螺孔 Holes	ISO 5211	重量(公斤) Weight (Kg)
15	PN 16-40	15	35	95	37	102	185	M12	4	F03	1,7
20		20	35	105	37	102	185	M12	4	F03	2,3
25		25	43	115	41	106	185	M12	4	F03	2,9
32		30	51	140	63	115	185	M16	4	F05	4
40		38	64	150	75	129	185	M16	4	F05	5,1
50	PN 16	50	85	165	83	137	293	M16	4	F07	8
65		64	103	185	97	150	293	M16	4	F07	11,3
80		75	120	200	110	185	350	M16	8	F10	16,4
100		98	155	220	126	200	350	M16	8	F10	23

ANSI (150 lbs)

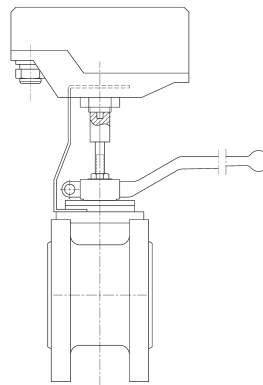
DN	D	L	E	F	G	H	M	螺孔 Holes	ISO 5211	重量(公斤) Weight (Kg)
1/2"	15	35	95	37	102	185	1/2" W	4	F03	1.7
3/4"	20	35	105	37	102	185	1/2" W	4	F03	2,3
1"	25	43	115	41	106	185	1/2"W	4	F03	2.9
1 1/2"	38	64	150	75	129	185	1/2"W	4	F05	5.1
2"	50	85	165	83	137	293	5/8"W	4	F07	8
2 1/2"	64	103	185	97	150	293	5/8"W	4	F07	11.3
3"	75	120	200	110	185	350	5/8" W	4	F10	16.4
4"	98	155	220	126	200	350	5/8" W	8	F10	23



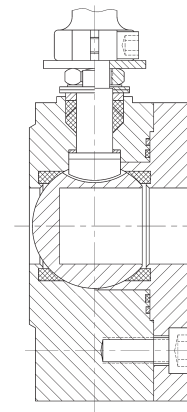
其他 / Others



带保温夹套式
Heating jacket



带阀位反馈装置
Limit switch



取样阀
Sampling valve